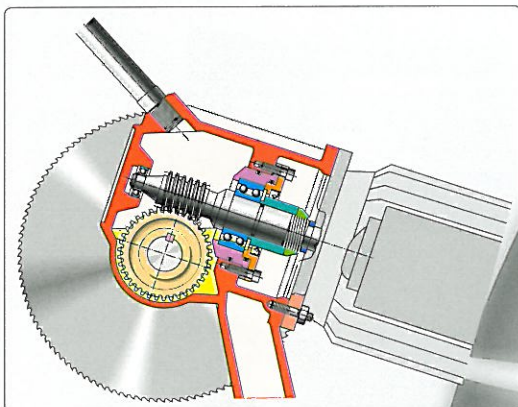




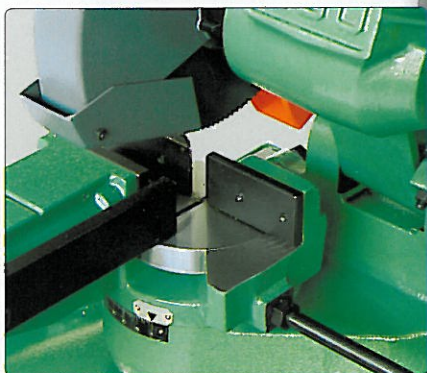
BROWN 250

MANUAL CIRCULAR SAW

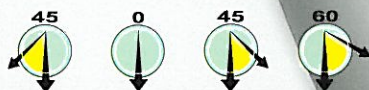
quality and durability
sturdy and compact



DOUBLE BALL BEARING SUPPORT OF BLADE DRIVE. Minimises vibration for superior cutting performance and longer machine life.



Maximum piece support even for the shortest cut lengths



CUTTING CAPACITY

▶ TECHNICAL DATA ◀		mm	-	70	70	-
		mm	-	60	60	-
		mm	-	100 x 50	70 x 50	-

▶ TECHNICAL DATA ◀		kW	0.8 / 1.1		
		RPM	37 / 74		
		mm	102		
		mm	250		
		kg	86/91*		
		mm	450 x 650 x 1550		
		mm	900		

MACHINE COMPLETE WITH:

Mechanism for the rotation of head block for angled cuts up to 45° left with locking lever.
- Manual vice with removable anti-burr. - Lockable switch on control panel. - Safety switch for blade drive on lever hand grip. - Blade lubrication-cooling system with electric pump. - Coolant liquid vat with extractable pump for vat cleaning. - Complete protection guard with rapid blade change system. - Bar stop with millimetric bar. - Circular blade ø 200. - Instruction book for use and maintenance. - Set of wrenches for maintenance.

ACCESSORIES AVAILABLE UPON REQUEST:

Sectional pedestal in sheet metal, 19.5 kg. - Coolant liquid.