

# BROWN 300 MRM

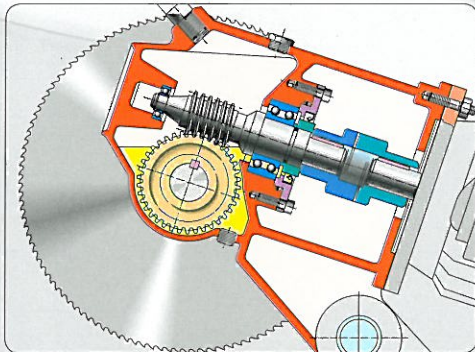
MANUAL CIRCULAR SAW



great versatility  
for bars and sections

**BROWN 300 MRM**  
Version with Manual Vice

**BROWN 300 MRP**  
Version with Pneumatic Vice



Clean cuts without vibration thanks to the innovative design and cushioned drive coupling.



DATA		mm	65	80	80	-
		mm	50	75	75	-
		mm	85 x 50	120 x 75	90 x 75	-

TECHNICAL		kW	1.6 / 2.0	
		RPM	43 / 86	
		mm	145	
		mm	300	
		kg	170 / 185	
		mm	900 x 1400 x 1800	
		mm	950	
		mm	950	

### MACHINE COMPLETE WITH:

Mechanism for the rotation of head block for angled cuts up to 45° left and right with locking lever. - Pneumatic vice with removable anti-burr. - Pneumatic cylinder for head movement, with brake for speed adjustment. - Head tilting on adjustable self-lubricating bushings. - Reverser. - Drive pedal for semi-automatic cycle. - Emergency push button with key on control panel. - Blade lubrication-cooling system with electric pump. - Coolant liquid vat with extractable pump for vat cleaning. - Complete protection guard with rapid blade change system. - Piece support arm with sliding roller. - Bar stop with millimetric bar. - Circular blade ø 275 - Blade cleaning roller. - Pedestal in welded metal sheet, 49 kg. - Instruction book for use and maintenance. - Set of wrenches for maintenance.

### ACCESSORIES AVAILABLE UPON REQUEST:

Sectional pedestal in sheet metal, 34 kg. - Pedestal in welded sheet metal, 49 kg. - Roller table for piece loading and unloading. - Coolant liquid.