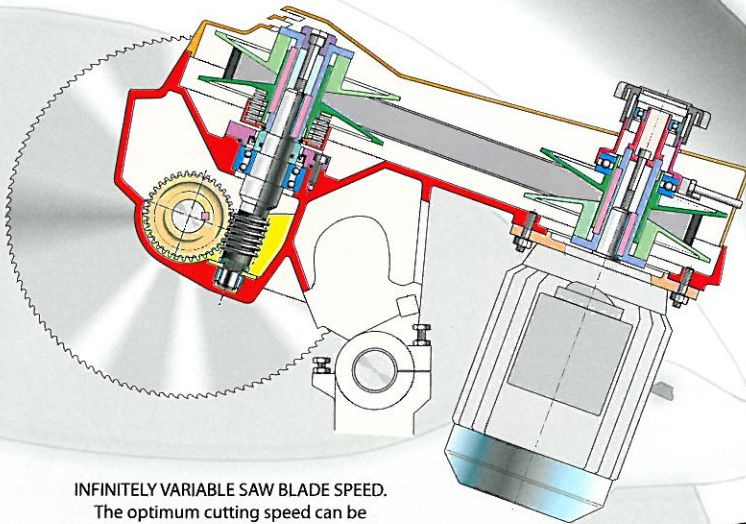


# SUPER BROWN 350 MRM

MANUAL CIRCULAR SAW



with infinitely variable blade speed  
to cut all types of metals



**INFINITELY VARIABLE SAW BLADE SPEED.**  
The optimum cutting speed can be maintained even when the diameter of the saw blade has been reduced by several regrinds.



**SUPER BROWN 350/45 MRM**  
Version with Manual Vice

**SUPER BROWN 350/45 MRP**  
Version with Pneumatic Vice

**SUPER BROWN 350/60 MRM**  
Version with Manual Vice

**SUPER BROWN 350/60 MRP**  
Version with Pneumatic Vice



| CUTTING CAPACITY |  | 45°          | 0°       | 45°                   | 60°       |
|------------------|--|--------------|----------|-----------------------|-----------|
| DATA             |  | mm 110*      | 115      | 115                   | 100*      |
|                  |  | mm 90*       | 95       | 90                    | 80*       |
|                  |  | mm 110 x 80* | 160 x 90 | 120 x 80              | 100 x 80* |
| TECHNICAL        |  | kW           |          | 1.5                   |           |
|                  |  | RPM          |          | 15 ÷ 90               |           |
|                  |  | mm           |          | 170                   |           |
|                  |  | mm           |          | 350                   |           |
|                  |  | kg           |          | 180 / 185 / 235 / 240 |           |
|                  |  | mm           |          | 900 x 1550 x 1850     |           |
|                  |  | mm           |          | 950                   |           |

#### MACHINE COMPLETE WITH:

Mechanism for the rotation of head block for angled cuts up to 45° left with locking lever (for versions 350/45 MRM and MRP). - Mechanism for the rotation of head block for angled cuts up to 60° left and 45° right with blocking lever (for versions 350/60 MRM and MRP). - Manual vice with rapid clamping and removable anti-burr (for versions MRM). - Pneumatic vice with removable anti-burr (for versions MRP). - Transmission by means of a double expandable pulley for speeds variable between 18 and 93 RPM. - Head tilting on adjustable self-lubricating bushings. - Reverser. - Emergency push button with key on control panel. - Safety switch for blade drive on lever hand grip. - Blade lubrication-cooling system with electric pump. Coolant liquid vat with extractable pump for vat cleaning. - Complete protection guard with rapid blade change system. - Piece support arm with sliding roller. - Bar stop with millimetric bar. - Circular blade ø 350. - Blade cleaning roller. - Instruction book for use and maintenance. - Set of wrenches for maintenance.

#### ACCESSORIES AVAILABLE UPON REQUEST:

Sectional pedestal in sheet metal, 34 kg. - Pedestal in welded sheet metal, 49 kg. - Roller table for piece loading and unloading. - Coolant liquid.